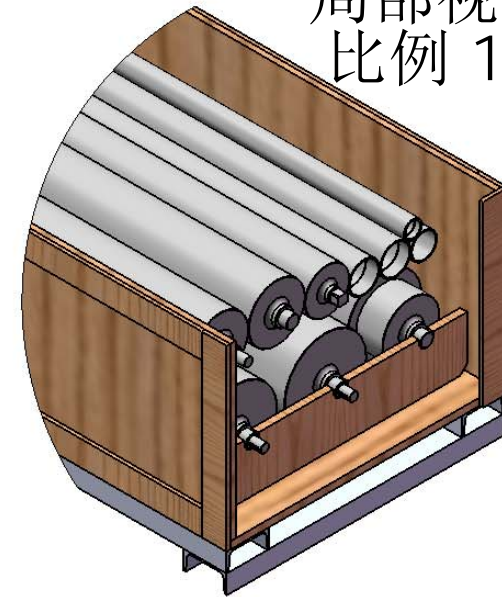


局部视图 A  
比例 1 : 15



Part number	Quantity	Diameter	Max. Length
299001288	1	D87	5274
299002059	1	D50.5	5334
289B8L813	1	D159	5441
298AX0003	1	D210.2	5405.5
298AX0499	1	D73	5300
298AX0500	3	D73	1730
298AX1073	1	D73.5	5380
299B2M791	1	D87	5295
299G2T093	2	D230	5440.5
503AX0760	1	D125	5261
507H2D243	1	D159	5406

Hangzhou Fulai Mechanical Parts Co., Ltd.

UNLESS OTHERWISE SPECIFIED:  DIMENSIONS ARE IN INCHES TOLERANCES: FRACTIONAL ± ANGULAR: MACH ± BEND ± TWO PLACE DECIMAL ± THREE PLACE DECIMAL ±  INTERPRET GEOMETRIC TOLERANCING PER:  MATERIAL  FINISH  DO NOT SCALE DRAWING	NAME	DATE	杭州福来机械配件有限公司	
	DRAWN		TITLE:	
	CHECKED		5m 辊筒装箱单	
	ENG APPR.		2008-11-15	
	MFG APPR.		SIZE	DWG. NO.
Q.A.		<b>A</b>		
THE INFORMATION CONTAINED IN THIS DRAWING IS THE SOLE PROPERTY OF HANGZHOU FULAI MECHANICAL PARTS CO., LTD. ANY REPRODUCTION IN PART OR AS A WHOLE WITHOUT THE WRITTEN PERMISSION OF HANGZHOU FULAI IS PROHIBITED.			SCALE: 1:100	WEIGHT: SHEET 1 OF 1